

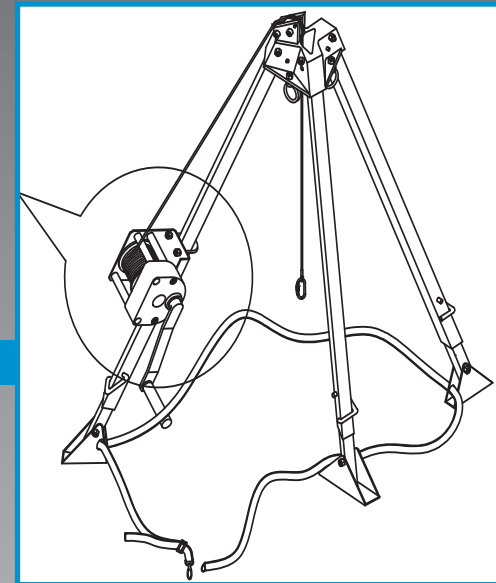
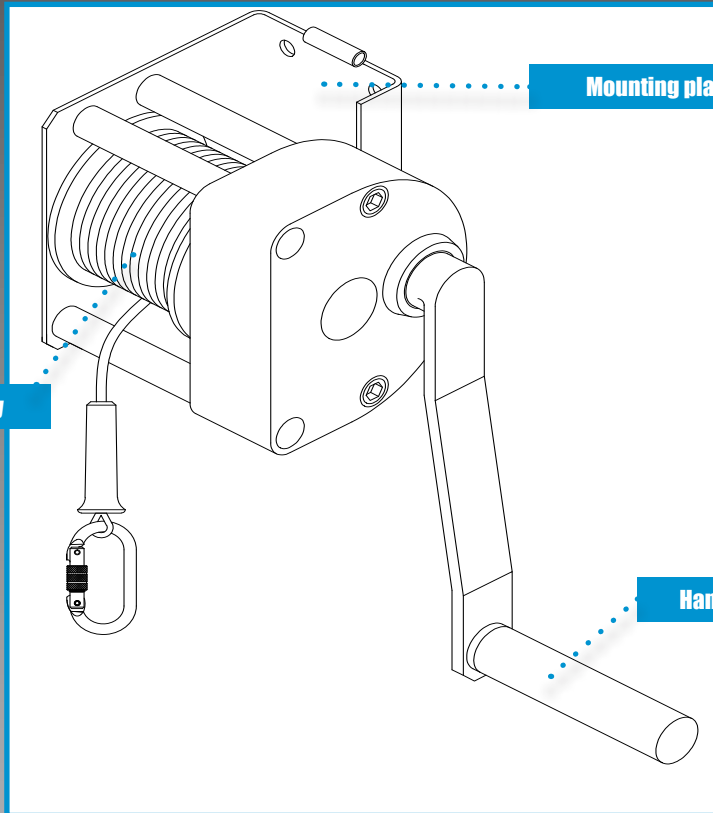
WINCH

The Work At Height Regulations 2005 state that if exposed to a risk of a fall then a rescue plan needs to be implemented. JSP® have a range of devices to aid you in this. Whether you need raising, lowering or both in a rescue, we have a device that suits, including products for confined space entry and rescue.

TECHNICAL SPECIFICATION

HEIGHT SAFETY

FAR1004



METAL COMPONENTS

Body: Galvanized steel body

Nylon moulded cover & beam for wire winding

DIMENSIONS

Length: 20 meters.

Weight: 7500 g (+/- 10 g)

CLEANING & MAINTENANCE

Maintenance of this product must only be carried out by a trained and competent person who will:

In case of minor soiling, wipe the winch with cotton cloth or a soft brush. Do not use any abrasive material. For intensive cleaning wash in water at a temperature between 30°C to 60°C by using a neutral detergent pH7. The washing temperature should not exceed 60°C. Do not use acidic or basic detergents.

Visually inspect the system before each use to ensure that it is in a serviceable condition and is operating correctly. If during inspection, doubts are raised about the safety of the system or a component, these should be replaced either by the manufacturer or a competent person.

CHARACTERISTICS

Material or man lifting rescue winch.

Mounting plate having four bolts for mounting to tripod leg or on other support as required.

Not to be used for fall arrest.

Galvanized steel cable of diameter 4.8mm.

Equipped with steel screw locking Karabiner as connector.

Screw locking connector, gate opening 18 mm, conforms to EN362:2004 class B & M.

Handle rotating mechanism for lifting or lowering.

Load capacity: 135 kg.

CONFORMITY

EN 1496: 2006 A

Static strength: Tested at 12.5 kN for 3 Minutes.

DISCLAIMER: Information presented within this technical specification was correct on date of issue. Information may be subject to change without notice as part of ongoing product improvement and development. To confirm any specific piece of information shown is current please email technical@jpsafety.com.



MANUFACTURING FOR SAFETY
WWW.JSPSAFETY.COM

UKSALES@JSP.CO.UK
TEL: +44 (0)1993 826050



Issued 15/03/2019, V1